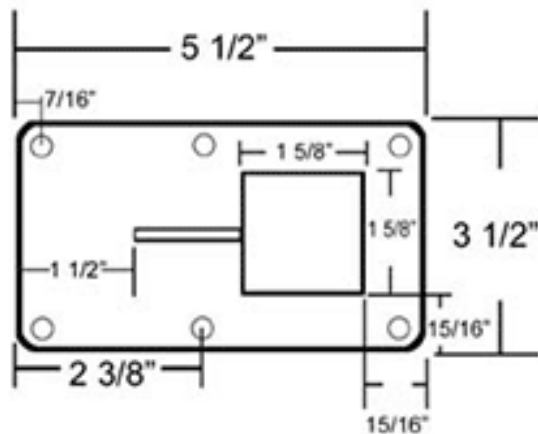
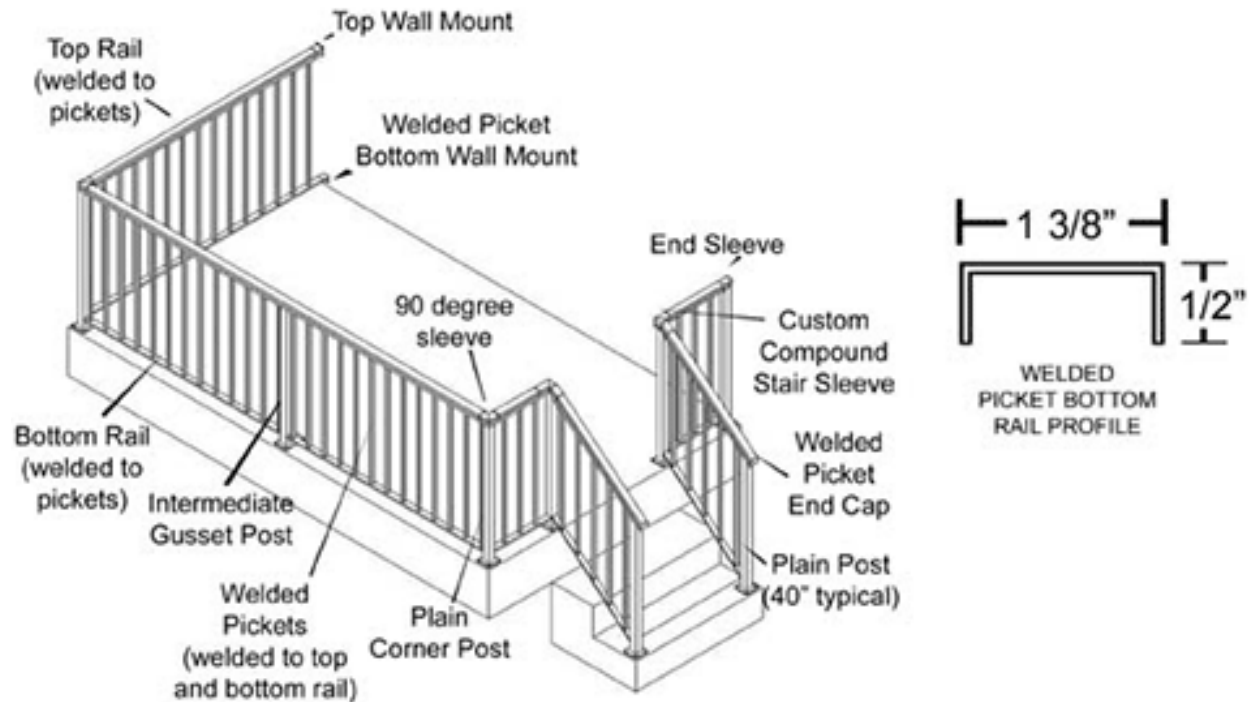
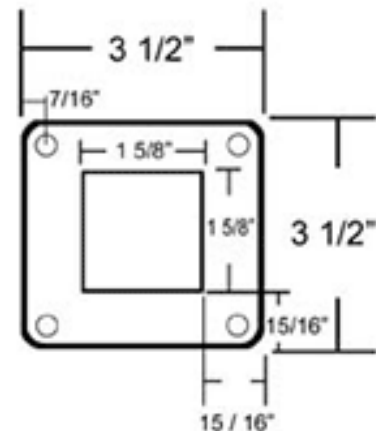


## SURFACE MOUNT WELDED PICKET RAIL SYSTEM

The welded picket system is the easiest and quickest rail to install. The welded panels provide more strength than component pickets and with the money saved on installation and materials, it is also our most economic rail. Plus, the welded picket panels can span up to 8 feet between posts (for a 36" tall system) saving even more time and money by not having to buy or install as many posts.



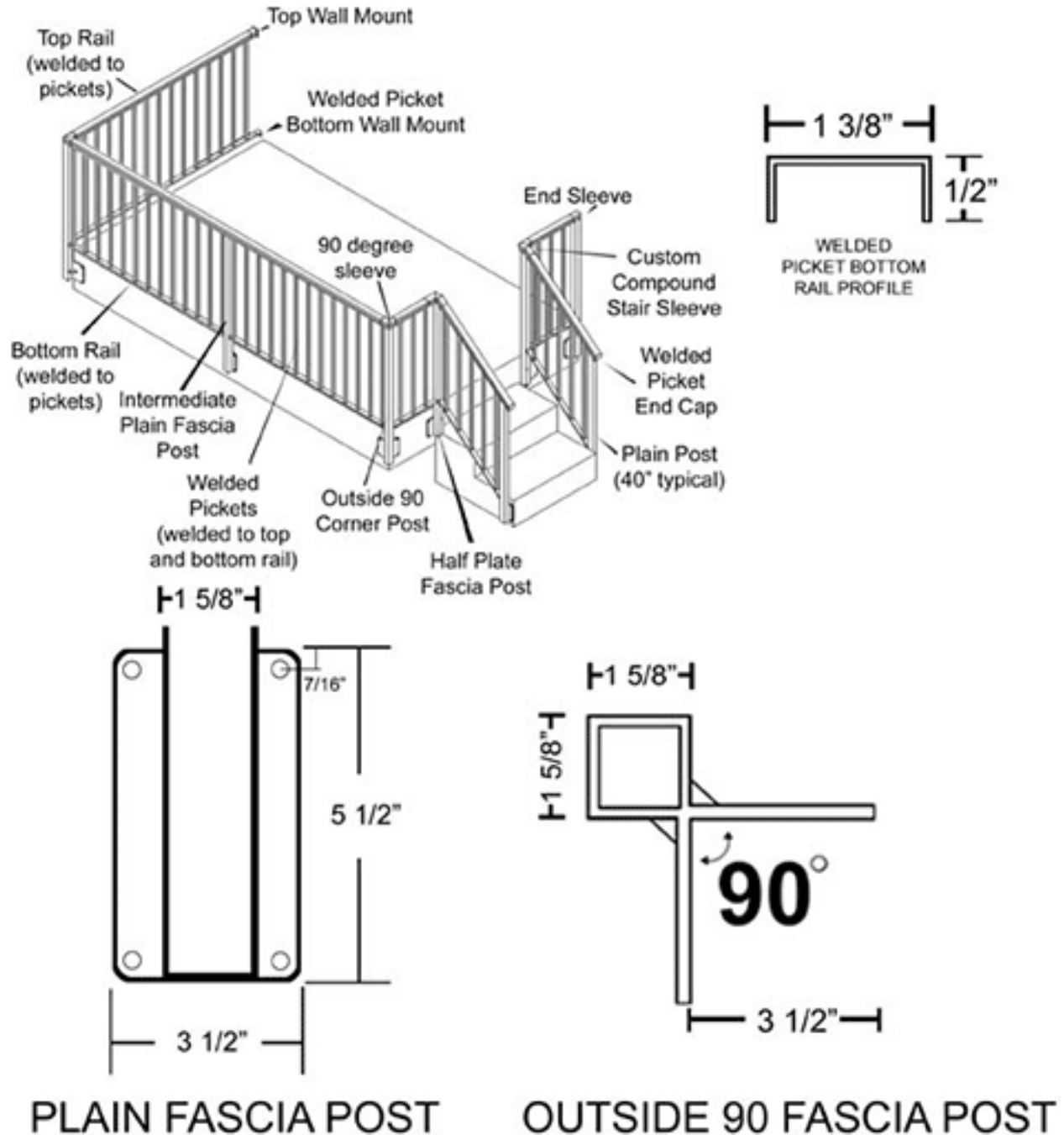
**GUSSET POST**



**PLAIN POST**

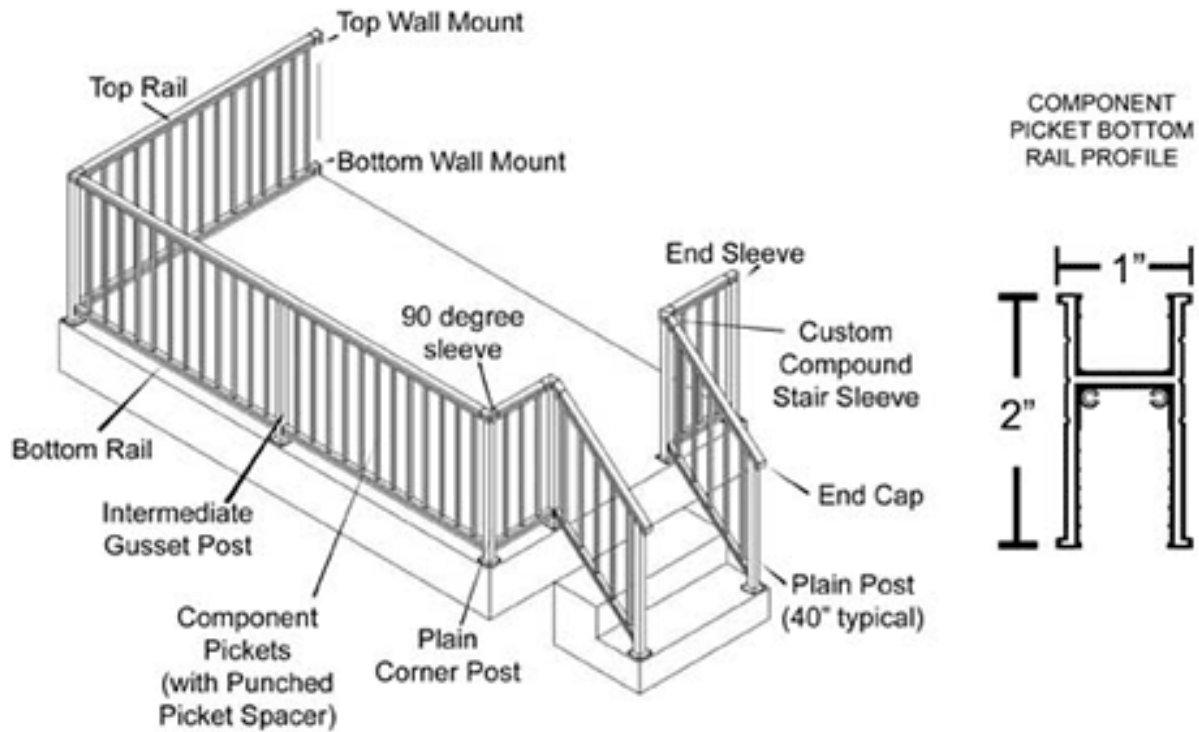
## FASCIA MOUNT WELDED PICKET RAIL SYSTEM

Presenting our newest railing. The welded picket system is the easiest and quickest rail to install. The welded panels provide more strength than component pickets and with the money saved on installation and materials, it is also our most economic rail. Plus, the welded picket panels can span up to 8 feet between posts (for a 36" tall system) saving even more time and money by not having to buy or install as many posts.

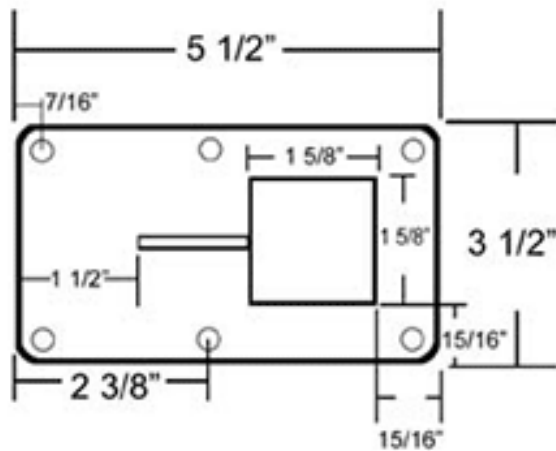
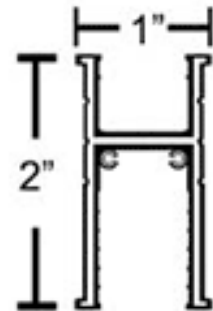


## SURFACE MOUNT COMPONENT PICKET RAIL SYSTEM

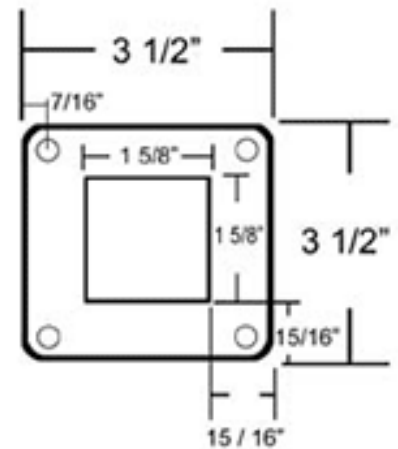
Our most conventional railing, the component picket system is sturdy and dependable while providing the same clean and elegant look of our glass rail. In addition to the standard 1 5/8" square standard pickets, ClearView can also provide you with Slat Pickets (1 1/2" wide) or Basket Pickets (with a 2" bow in the middle of the picket). Unlike the glass rail, which is delivered in phases, the entire system is delivered all at once, so there's no wait on getting your project done.



COMPONENT PICKET BOTTOM RAIL PROFILE



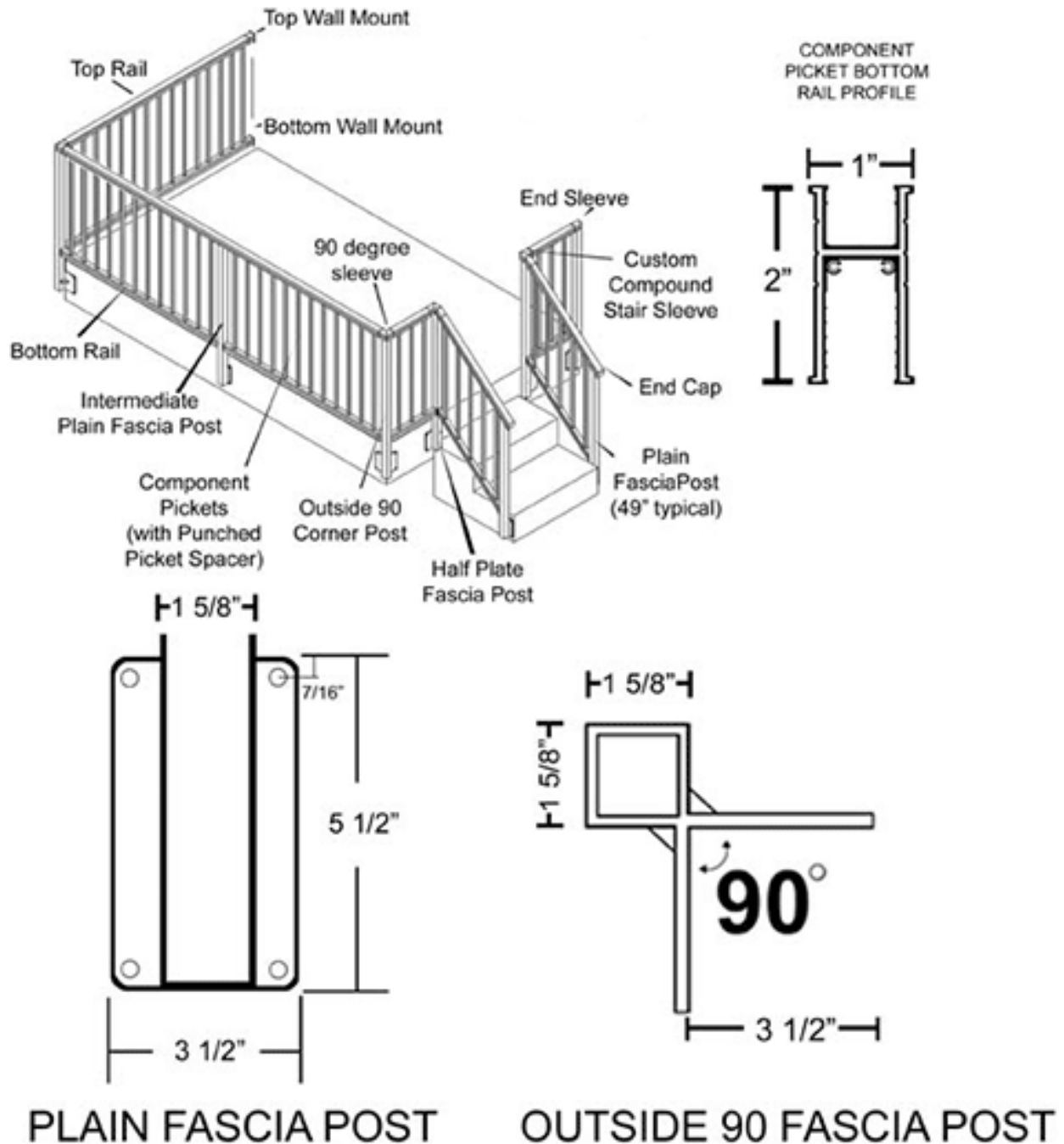
GUSSET POST



PLAIN POST

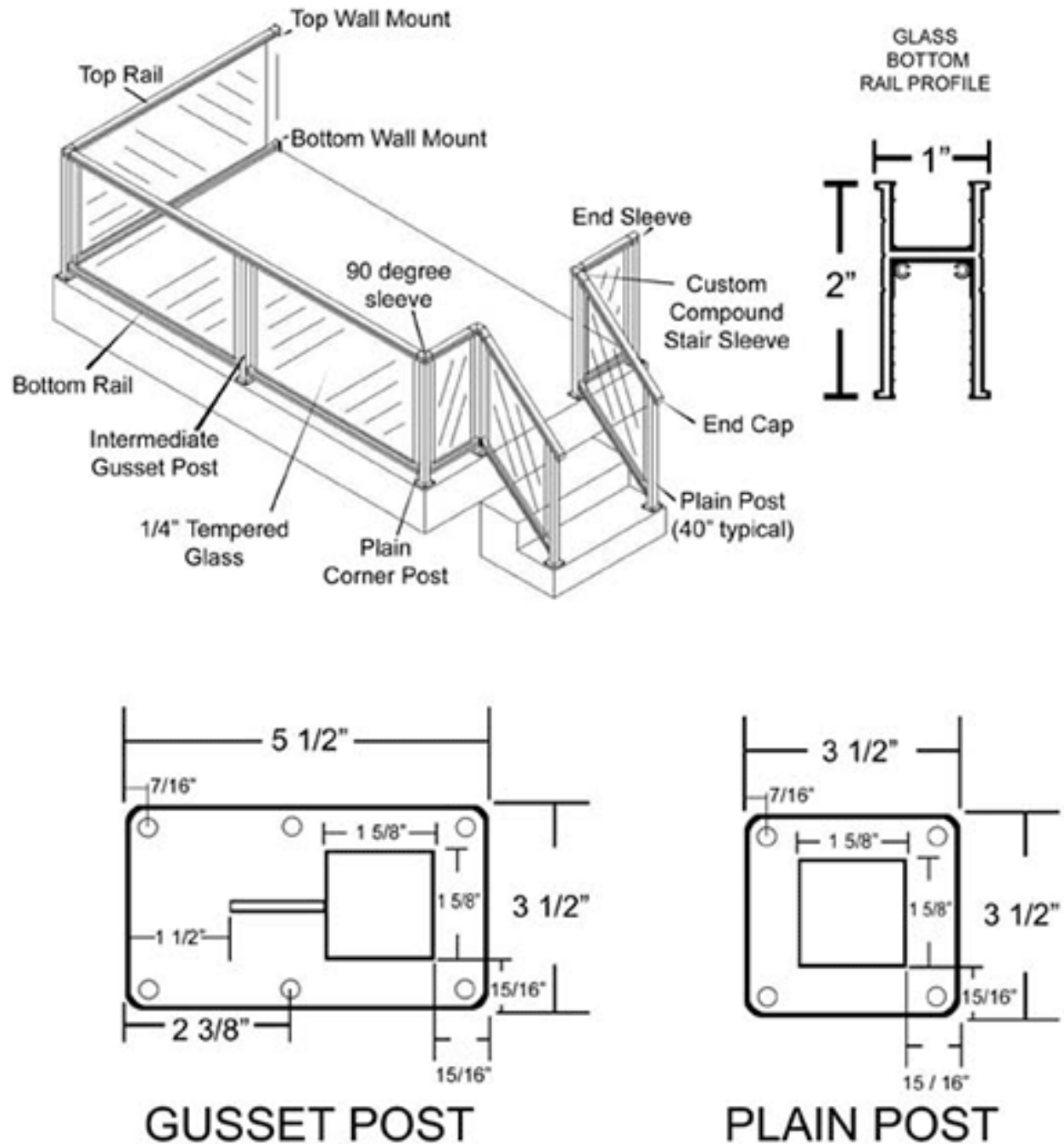
## FASCIA MOUNT COMPONENT PICKET RAIL SYSTEM

Our most conventional railing, the component picket system is sturdy and dependable while providing the same clean and elegant look of our glass rail. In addition to the standard 1 5/8" square standard pickets, ClearView can also provide you with Slat Pickets (1 1/2" wide) or Basket Pickets (with a 2" bow in the middle of the picket). Unlike the glass rail, which is delivered in phases, the entire system is delivered all at once, so there's no wait on getting your project done.



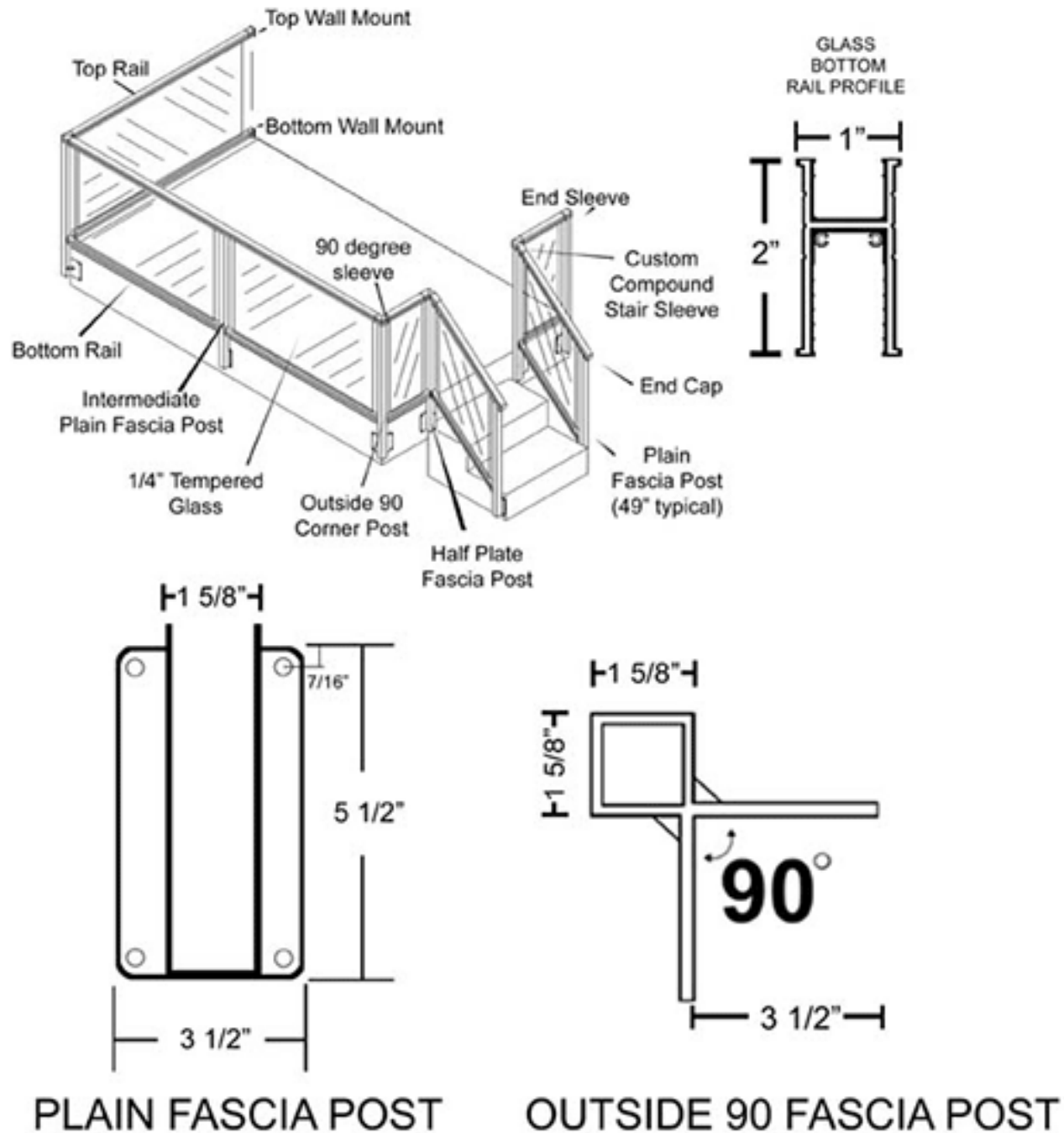
## SURFACE MOUNT GLASS RAIL SYSTEM

Our most popular railing, the glass system provides sturdy construction combined with an unobstructed view. Installation is easier than conventional picket systems. Typically, glass railings add not only to the look of your home, but to the value as well. The top and bottom channel can also accept our pickets if you're looking to mix the two styles (i.e. glass on the deck with picket on the stairs). The glass can be clear, tinted or obscured; plus it can also be custom cut for stairs or most custom applications.



## FASCIA MOUNT GLASS RAIL SYSTEM

Our most popular railing, the glass system provides sturdy construction combined with an unobstructed view. Installation is easier than conventional picket systems. Typically, glass railings add not only to the look of your home, but to the value as well. The top and bottom channel can also accept our pickets if you're looking to mix the two styles (i.e. glass on the deck with picket on the stairs). The glass can be clear, tinted or obscured; plus it can also be custom cut for stairs or most custom applications.



## SELF-CLEANING GLASS

---

KDL Enterprises can provide a “Green” environmentally safe coating for any of our products that GREATLY REDUCES THE NEED FOR CLEANING! This revolutionary technology only requires Sunlight and Water (rain) to activate its process of destroying and washing away organic materials from the surface.

- Glazing stays cleaner longer. For touchup cleaning use only vinegar and water
- TIO2 Nano-Technology accelerates the continuous photo-catalytic breakdown of any organic compounds.
- The resulting Hydrophilic action causes water to sheet on the surface and rinse away the decomposed dirt from the surface more efficiently.
- Glass surface dries more quickly with minimal spotting and streaking.
- No unsightly tint or reflective surface.
- Reduces dew formation and collection on the glass surface.
- Reduces UV transmittance
- Factory applied to new Western ClearView railing glass
- FDA and EPA approved.
- Safe for humans and pets.
- Continues to work for 5-8 years

## MANUFACTURER'S WARRANTY

---

WESTERN CLEARVIEW RAILING SYSTEMS OFFERS A TEN YEAR MANUFACTURER'S WARRANTY ON THE COMPONENTS TO BE FREE FROM DEFECTS IN MATERIAL AND WORKMANSHIP. PLEASE BE ADVISED THAT OUR WARRANTY ON COMPONENT SYSTEMS WILL BE VALID ONLY IF THERE IS SOLID BLOCKING PROVIDED UNDER BASES SO THAT SCREWS PROVIDED PENETRATE FULLY INTO SOLID FRAMING.

WESTERN CLEARVIEW RAILING SYSTEMS ALSO WARRANTS THAT THE POWDER COATED FINISH WILL NOT CRACK, CHIP OR PEEL FOR A PERIOD OF FIVE YEARS FROM ORIGINAL DATE OF PURCHASE. IF PRODUCT IS INSTALLED WITHIN ONE MILE OF A COASTLINE, THE WARRANTY IS ONE YEAR (UNLESS COASTAL PRIMER WAS PURCHASED AS WELL, THEN WARRANTY IS EXTENDED TO FIVE YEARS).

WESTERN CLEARVIEW RAILING SYSTEMS, AT ITS DISCRETION, WILL REPAIR ANY RAILING COMPONENT THAT FAILS TO MEET OUR WARRANTY REQUIREMENTS AFTER INSPECTION BY A FACTORY REPRESENTATIVE. THE INSPECTION WILL BE CONDUCTED AT THE OWNER'S RESIDENCE OR AT THE WESTERN CLEARVIEW RAILING SYSTEMS FACILITY AT THE DISCRETION OF WESTERN CLEARVIEW RAILING SYSTEMS.

WESTERN CLEARVIEW RAILING SYSTEMS REQUIRES A REGULAR MAINTENANCE SCHEDULE. THE RAILING SYSTEM IS TO BE WASHED AND RINSED WITH FRESH WATER AT LEAST TWO TIMES PER YEAR FOR THE POWDER COAT WARRANTY TO REMAIN INTACT.